

Female Header 2.0 mm

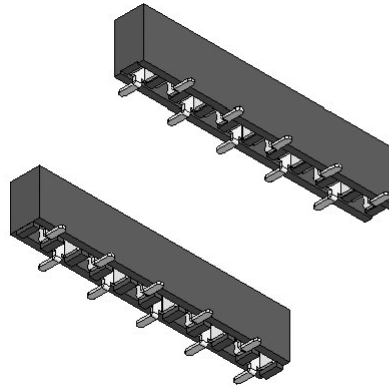
SMT Series

SPECIFICATIONS

Current Rating: 2 A
 Insulator Resistance: 3000 MOhm min.
 Contact Resistance: 20 mOhm max.
 Dielectric Withstanding: AC 500 V
 Operating Temperature: -40°C ~ +105°C
 Soldering Temperature: 260°C for 3~5 sec. max
 Contact Material: Phosphor Bronze
 Insulator Material: Polyester, UL 94V-0
 Standard: Nylon-6T
 Finish: Tin, Gold or Duplex Plated
 Standard: Gold Flash all over
 Note: Duplex Plating: Gold Plated on contact area, Tin on solder area

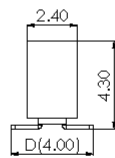
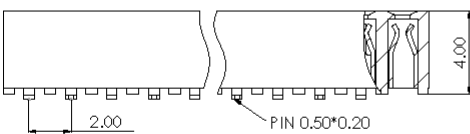
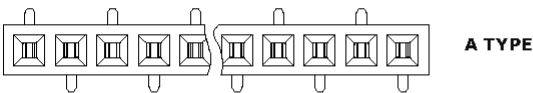
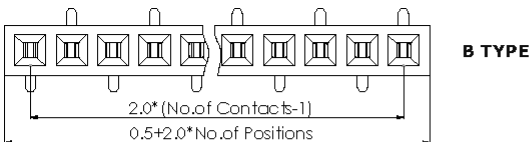
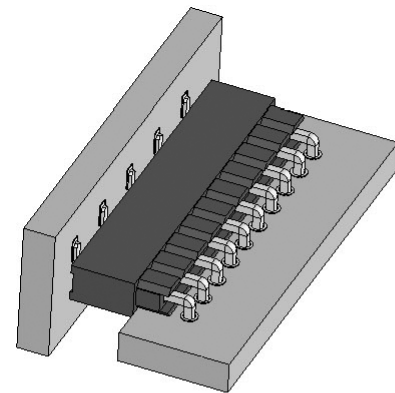
F302-MGN-D040-XX-AT

F302-MGN-D040-XX-BT

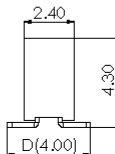
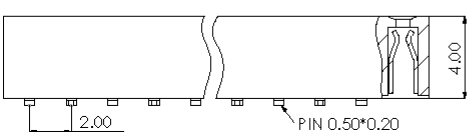


F392-MGN-D040-XX-BT

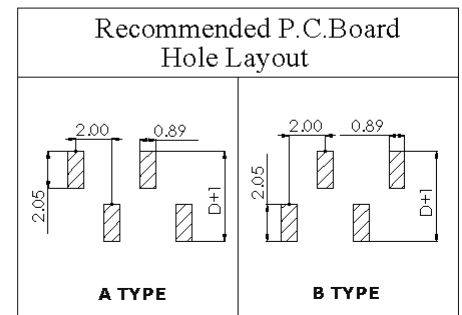
F392-MGN-D040-XX-AT



[F392] -XT



[F302] -XT



How to order

Unit: mm

Series	Connector Type	Contact Plating	Material	Pin Length mm	Number of Contacts	Other
FXXX	X	X	X	DXXX	XX	XT
F302:F/H 2.00 H:4.00 Single Row F392:F/H 2.00 H:4.00 Single Row	M:SMT Type	G:Gold Flash T: Tin Plated A: 10U"Gold B: 15U"Gold C: 20U"Gold © Duplex Plating D: Gold Flash/Tin (Standard:G)	N:Nylon-6T (Standard:N)	M-D D040	(02 TO 40 Contacts)	AT:A TYPE BT:B TYPE